



Solar Sheep @ CNRVMC

Solar Grazing Project Experience

Carilion New River Valley Medical Center

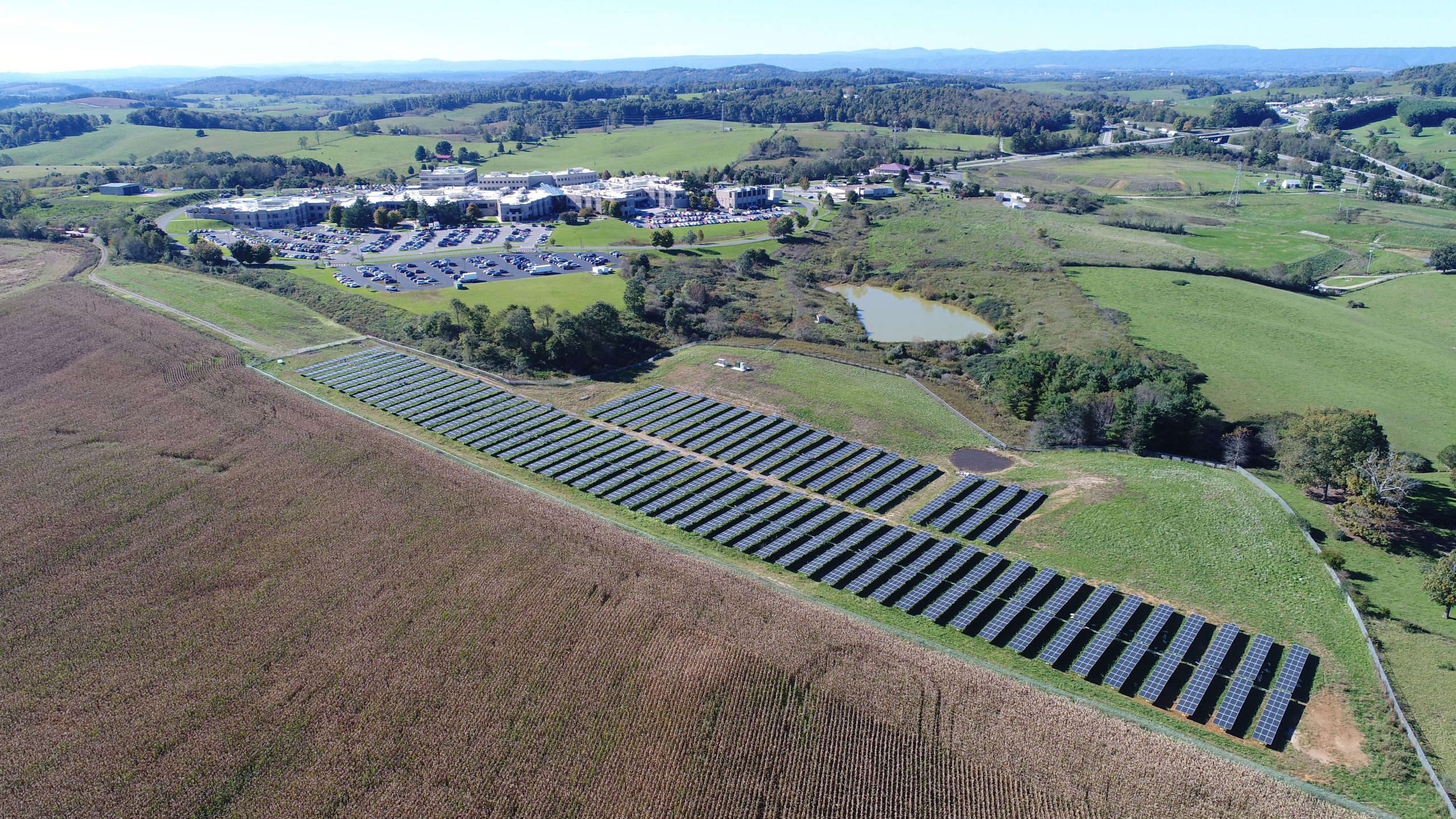
Christiansburg, VA

1.3 MW Single Axis Trackers

Riley Murray, (past) Project Manager - Secure Futures LLC

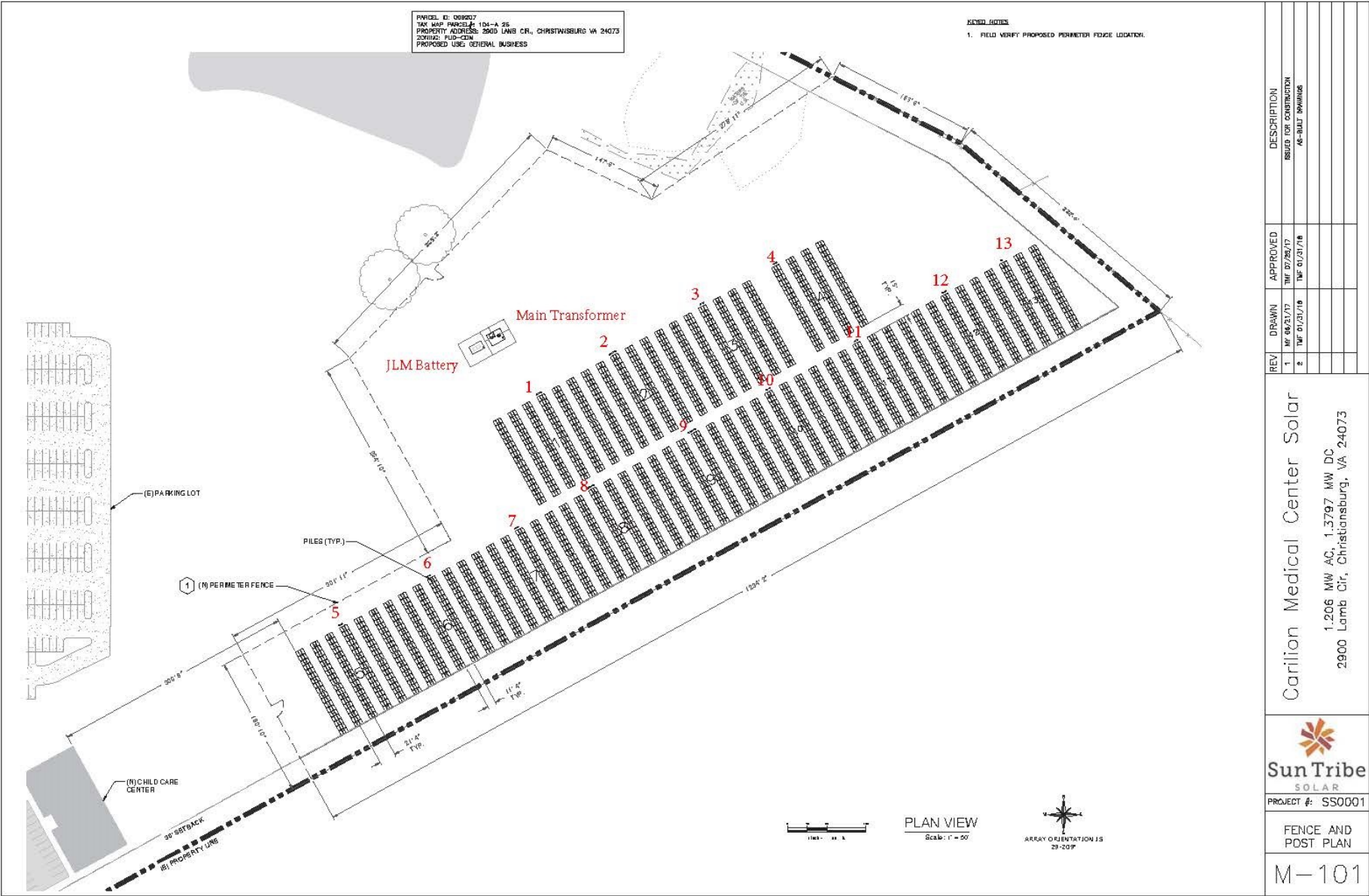
Carilion NRVMC Solar Sheep Summary

To reduce groundcover maintenance cost for the 1.3-megawatt ground mounted solar array at the Carilion New River Valley Medical Center, an environmentally sustainable solution is being implemented by Secure Futures, the commercial/institutional scale developer and owner of the net-metered PV solar power system. In collaboration with local sheep producers, Cecil King and Amanda Niece, a flock of approximately 30 sheep were be put out to pasture to graze the six acres of grass groundcover in September – November 2018. The 2019 grazing season was successful. This project will serve as a learning experience for Secure Futures in how to best manage the application of solar sheep grazing for our solar arrays.



PARCEL ID: 009207
 TAX MAP PARCELS: 104-A-28
 PROPERTY ADDRESS: 2900 LAMB CR., CHRISTIANSBURG VA 24073
 ZONING: PUD-CEN
 PROPOSED USE: GENERAL BUSINESS

FIELD NOTES
 1. FIELD VERIFY PROPOSED PERIMETER FENCE LOCATION.

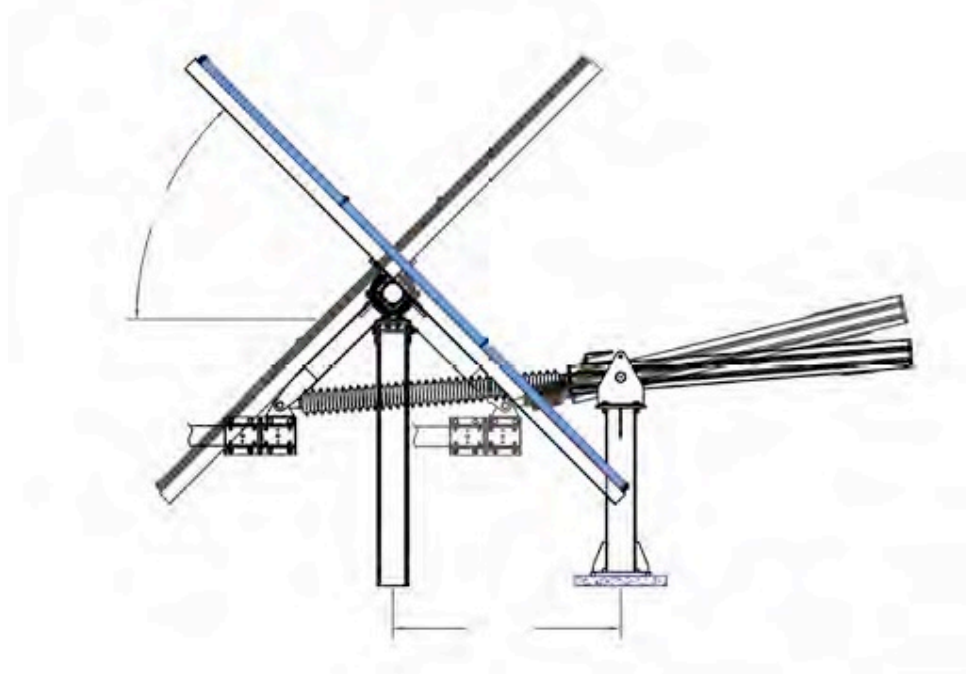


| REV | DRAWN | APPROVED | DESCRIPTION |
|-----|-------------|--------------|-------------------------|
| 1 | MF 06/21/17 | IME 07/26/17 | ISSUED FOR CONSTRUCTION |
| 2 | MF 01/23/18 | TF 01/23/18 | AS-BUILT DRAWINGS |
| | | | |
| | | | |
| | | | |

Carilion Medical Center Solar
 1.206 MW AC, 1.3797 MW DC
 2900 Lamb Cir, Christiansburg, VA 24073


Sun Tribe
 SOLAR
 PROJECT #: SS0001

FENCE AND
 POST PLAN
 M-101



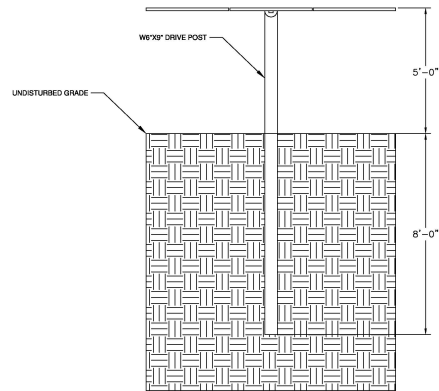
Single Axis Tracker
Structure



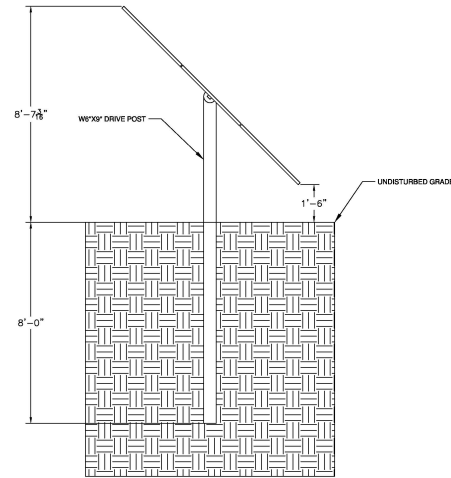
CONFIDENTIAL
 THE INFORMATION DEPICTED ON THIS DOCUMENT IS PROPRIETARY AND THE SOLE PROPERTY OF SOLARWORLD AMERICAS. ANY USE OR DISCLOSURE OF THIS INFORMATION IS EXPRESSLY PROHIBITED WITHOUT THE WRITTEN CONSENT OF SOLARWORLD AMERICAS.

NOTES:

1. APPROXIMATE PROFILE DRAWINGS FOR SINGLE-AXIS TRACKERS. FINAL DETAILS TBD PENDING DRAWINGS FROM SUN ACTION TRACKERS.



TRACKER PROFILE AT 0° TILT
 Scale: 1" = 2'



TRACKER PROFILE AT 45° TILT
 Scale: 1" = 2'



SOLARWORLD, 9330 HW EVERGREEN RD, HILLBROOK, OH 47124

PROJECT:

CARILION
 MEDICAL CENTER
 CHRISTIANBURG,
 VA
 24073

ISSUED FOR: REVIEW

| | | |
|--|--|--|
| | | |
| | | |
| | | |
| | | |

| MARK | DATE | DESCRIPTION |
|-------------|---------|--------------------|
| ISSUE DATE: | 2-28-17 | ISSUED FOR: REVIEW |

PROJECT NO: _____

DRAWN BY: MY

CHECKED BY: _____

SHEET TITLE:

**SINGLE-AXIS TRACKER
 PROFILE**

SHEET
E-105

Ground Clearance Under Array



Protective Measures
for Electrical Wiring &
Equipment





Protective Measures
for Electrical Wiring &
Equipment





Solar Sheep deployed!



Questions?

Riley A. Murray

Director of Operations

Sol Renewables Inc.

riley@solrenewables.com

cell: 540-290-5733

More Solar Sheep info at

American Solar Grazing Association

<https://solargrazing.org>